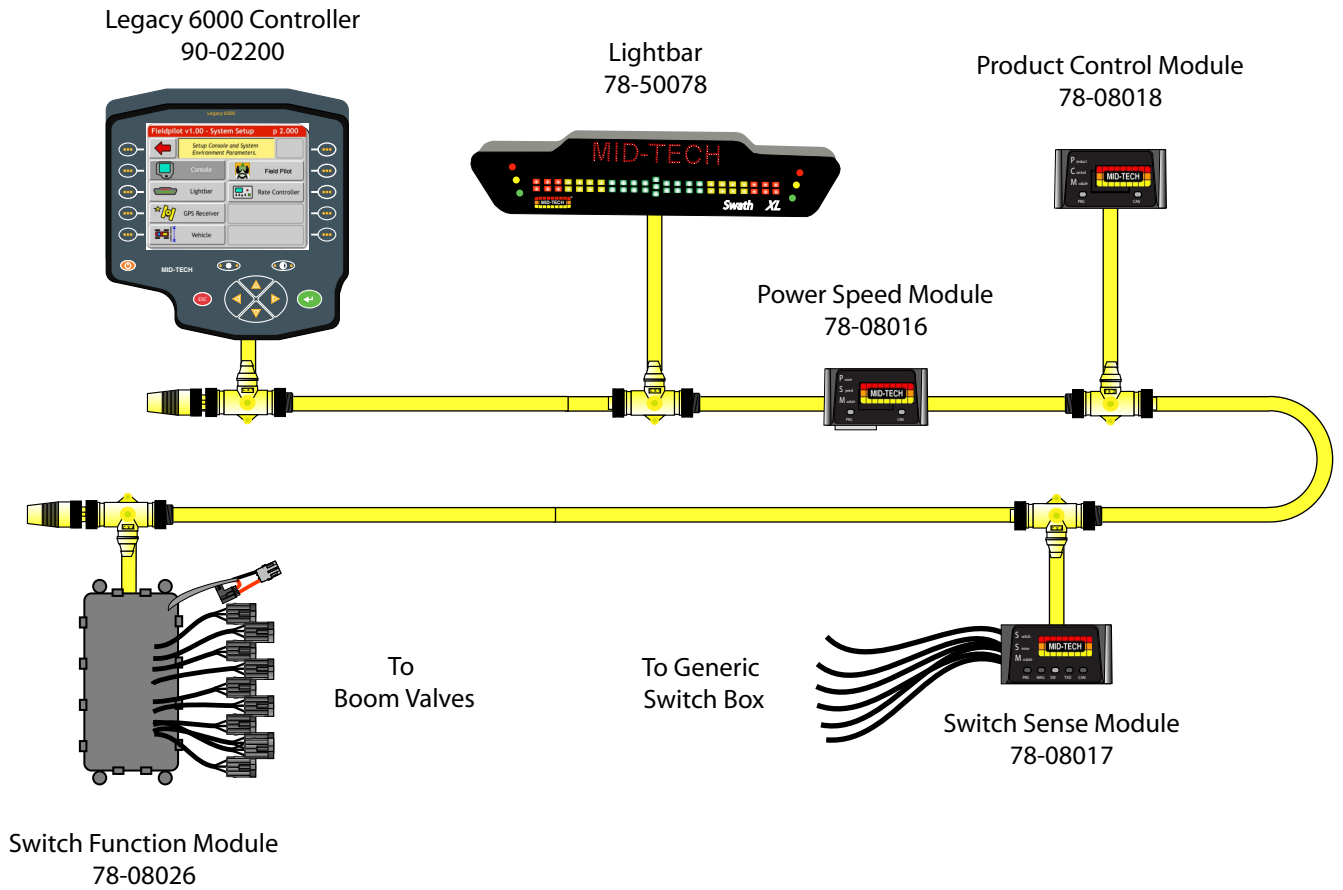


Auto-Boom Configuration for L6K and Mid-Tech CAN Bus Using Generic Switch Box, SSM and SFM

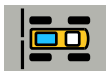


All CAN System part numbers are based on Gen I CAN System.
This diagram is for auto-boom reference only.

Fieldware for the Legacy 6000 version 2.1x Auto-Boom Instructions



Run ver 2.1x in CAN Bus control mode (CB)



Implement Setup - Run this setup process. Single swath only.



Arm Setup - Set Auto Hold type to "Section Center"



In real-time you must press "Spray On" button to activate auto-boom.